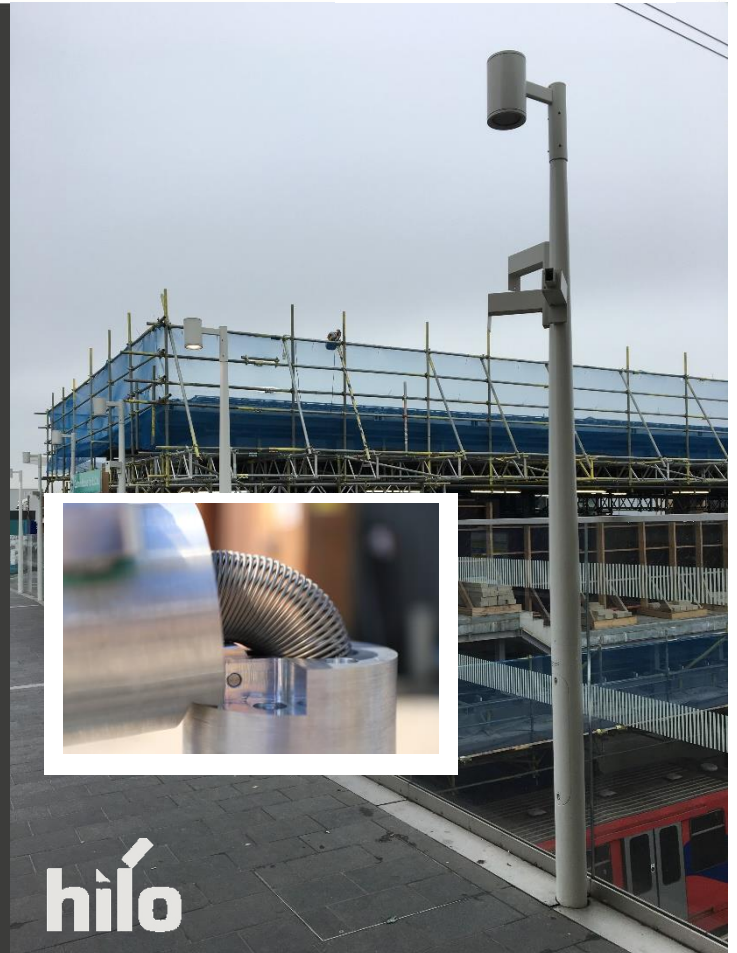


# Aluminium HiLo Columns with wedge

- Manual operations from the ground
- Completely remove dangers associated with working at height
- Cost reductions associated with ongoing maintenance



**hiLo**

## HiLo columns allow easy and safe operations

The raise & lower columns from Hydro, called HiLo, are designed to carry out maintenance on cameras, lights, signs and other devices in a safe and secure manner. The operation of the column can be performed manually, from ground level. Therefore, no dangers of working at height and cost savings of maintenance and traffic management.

The HiLo columns with wedge have an invisible hinge mechanism that is located just above the door section. Hinge direction of choice.

The optional raise & lower tool provides easy operation of columns with a higher top weight such as heavier cameras or traffic lights.

Local technical support available in the UK.

## In compliance with standards and regulations:

- Design in accordance with the British standard BS-EN 40-6
- Calculations according to the British standard BS-EN 40-3-3
- Passively safe according to BS-EN 12767 – see certificate EN 40

## Installation options:

- Planted in the ground
- Two-piece base plate (drawing D53.002.000.14)
- One-piece base plate (drawing D53.001.000.01)
- Welded specialized base plate

## Bracket options (see PDSEN/UK32.02.001):

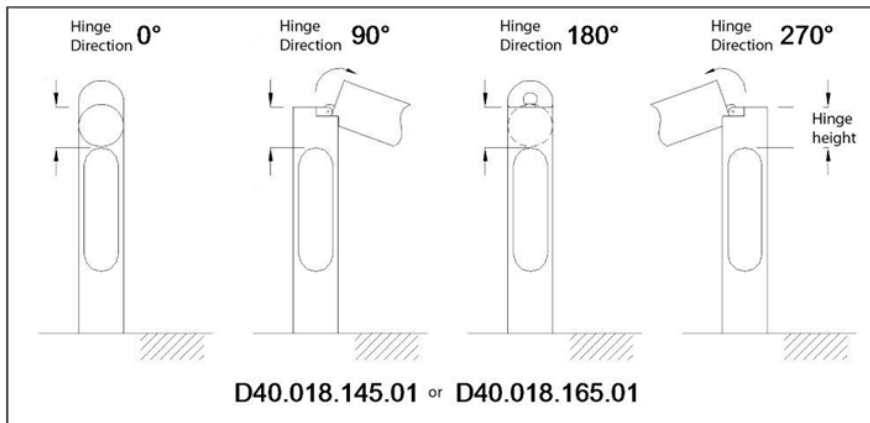
- Fixed brackets
- Cast piece brackets
- Invisible joint brackets

## HiLo columns with wedge

### How it works



### 4 different hinge directions possible



### Raise & lower tool



## HiLo columns with wedge

HiLo columns with wedge, conical and cylindrical stepped available from 3-8m

Height (in m)	Base diameter x wall thickness (in mm)	Top diameter (in mm)	Dimension door opening (in mm)	Door height above ground (in mm)	Length ground piece (in mm)	Column weight (in Kg)	Passive safe classification
3 - 6	145 x 3.0	60/76	500 x 100	600	800	14 - 24	100NE2
7 - 8	165 x 3.3	60/76	600 x 115	800	1000	37 - 43	100NE2

### Technical characteristics:

- Seamless tube made of aluminium extrusion;
- Alloy EN AW6060 T66;
- 100% recyclable;
- Flush fitting door with 2 triangular locks;
- Welded reinforcement profile at the inside of the door section, complete with mounting rail (2x M6 slip nuts + 1x M8 earth nut) and mounted wooden backboard;
- Extra earth nut M8 at the inside of the door;
- Invisible hinge mechanism located just above the door section;
- Tilttable until ground level;
- Ground piece protected with corrosion protective grey tape + Ground Level Protector;
- Cable entry slot incl. protection cap;
- Surface brushed finish, electrostatic powder coating.

*Hydro is not liable for incomplete or incorrect information provided on this product sheet.*